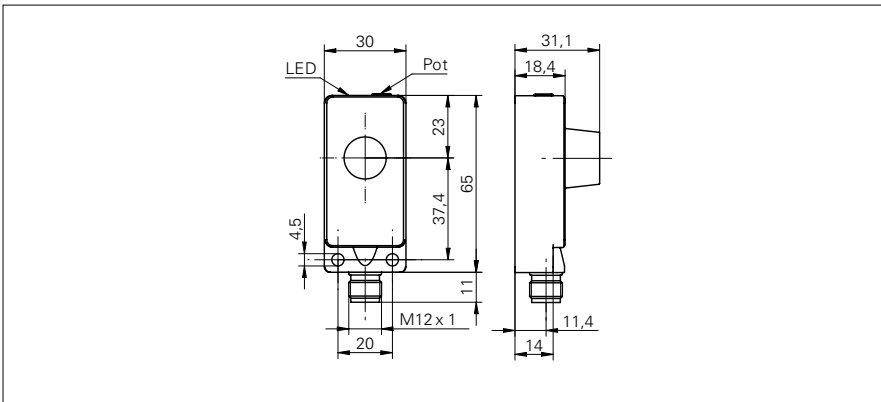


Ultrasonic retro-reflective sensors

URDK 30 (Sde = 1000 mm)

sample drawing



general data

sensing range sd	0 ... 1000 mm
reflector position Sde	200 ... 1000 mm
adjusting range reflector (operating range)	$\pm 2,5 \% Sde$
adjusting range reflector (limit range)	$\pm 5 \% Sde$
repeat accuracy	< 3 mm
alignment aid	target display flashing
adjustment	potentiometer
temperature drift	< 2 % Sde
synchronization	yes
multiplex version	on request
response time ton (sync on)	< 50 ms
release time toff (sync on)	< 50 ms
sonic frequency	240 kHz
output indicator	LED green

electrical data

voltage supply range +Vs	12 ... 30 VDC
current consumption max.	35 mA
output current	< 200 mA
voltage drop Vd	< 2 VDC
residual ripple	< 10 % Vs
short circuit protection	yes
reverse polarity protection	yes

mechanical data

type	rectangular
housing material	polyester / die-cast zinc
width / diameter	30 mm
height / length	65 mm
depth	31 mm

ambient conditions

operating temperature	-10 ... +60 °C
protection class	IP 67

sample picture



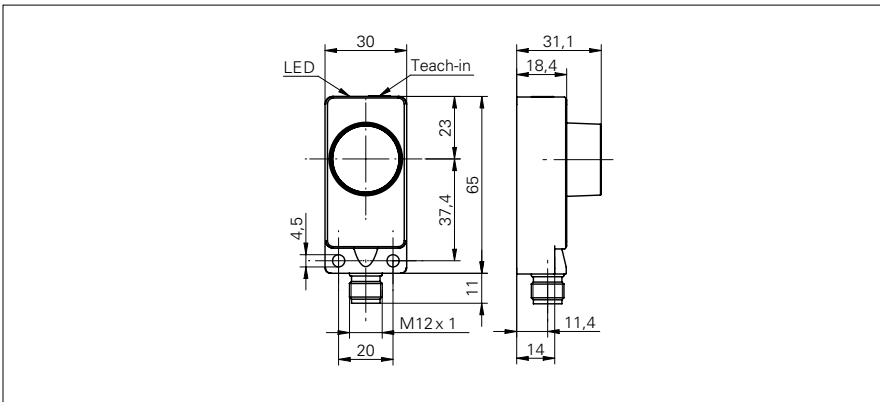
Ultrasonic retro-reflective sensors**URDK 30 (Sde = 1000 mm)**

order reference	output circuit	connection types
URDK 30N1703	NPN make function (NO)	cable, 2 m
URDK 30N1703/S14	NPN make function (NO)	connector M12
URDK 30N3703	NPN break function (NC)	cable, 2 m
URDK 30N3703/S14	NPN break function (NC)	connector M12
URDK 30P1703	PNP make function (NO)	cable, 2 m
URDK 30P1703/S14	PNP make function (NO)	connector M12
URDK 30P3703	PNP break function (NC)	cable, 2 m
URDK 30P3703/S14	PNP break function (NC)	connector M12

Ultrasonic retro-reflective sensors

URDK 30 (Sde = 2000 mm)

sample drawing



general data

sensing range sd	0 ... 2000 mm
reflector position Sde	400 ... 2000 mm
adjusting range reflector (operating range)	$\pm 4\%$ Sde
adjusting range reflector (limit range)	$\pm 6\%$ Sde
repeat accuracy	< 3 mm
alignment aid	target display flashing
adjustment	Teach-in
temperature drift	< 2 % Sde
response time ton	< 80 ms
release time toff	< 80 ms
sonic frequency	200 kHz
output indicator	LED green

electrical data

voltage supply range +Vs	12 ... 30 VDC
current consumption max.	35 mA
output current	< 200 mA
voltage drop Vd	< 2 VDC
residual ripple	< 10 % Vs
short circuit protection	yes
reverse polarity protection	yes

mechanical data

type	rectangular
housing material	polyester / die-cast zinc
width / diameter	30 mm
height / length	65 mm
depth	31 mm
connection types	connector M12

ambient conditions

operating temperature	-10 ... +60 °C
protection class	IP 67

order reference

URDK 30P6104/S14	PNP make function (NO)
URDK 30P7104/S14	PNP break function (NC)

output circuit

sample picture

