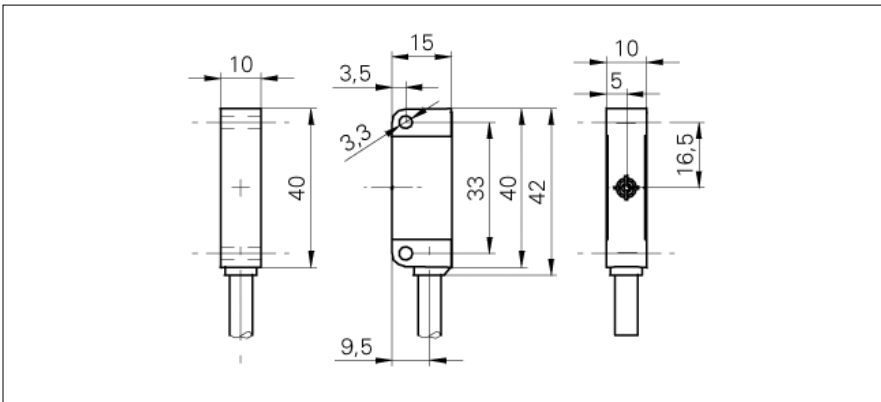


## Magnetic sensors

## MLFK 10G2124/N100

## dimension drawing



## general data

|               |            |
|---------------|------------|
| air gap       | < 0,8 mm   |
| resolution    | < 0,005 mm |
| interpolation | 100 times  |

## electrical data

|                             |                     |
|-----------------------------|---------------------|
| switching frequency         | < 400 kHz           |
| voltage supply range +Vs    | 8 ... 28 VDC        |
| current consumption max.    | 30 mA               |
| output circuit              | 2 channel push-pull |
| output signal               | CH A/B              |
| output current              | < 50 mA             |
| voltage drop Vd             | < 2 VDC             |
| short circuit protection    | yes                 |
| reverse polarity protection | yes, Vs to GND      |

## mechanical data

|                  |                         |
|------------------|-------------------------|
| type             | rectangular             |
| housing material | PA 6                    |
| dimension        | 10 mm                   |
| housing length   | 40 mm                   |
| connection types | cable PUR 4 x 0,25, 2 m |

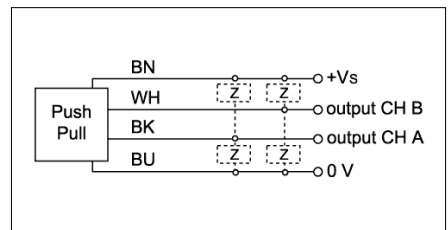
## ambient conditions

|                       |                |
|-----------------------|----------------|
| operating temperature | -25 ... +85 °C |
| protection class      | IP 67          |

## photo



## connection diagram



## mounting

